

(19)



JAPANESE PATENT OFFICE

PATENT ABSTRACTS OF JAPAN

(11) Publication number: 08154114 A

(43) Date of publication of application: 11.06.96

(51) Int. Cl. H04M 1/00

(21) Application number: 06315728

(22) Date of filing: 25.11.94

(71) Applicant: SONY CORP

(72) Inventor: ICHIYAMA BUNSHI  
ISHIKAWA KAZUHIKO  
HAYAMIZU TORU  
HIRATA JUNKO

(54) TELEPHONE SET

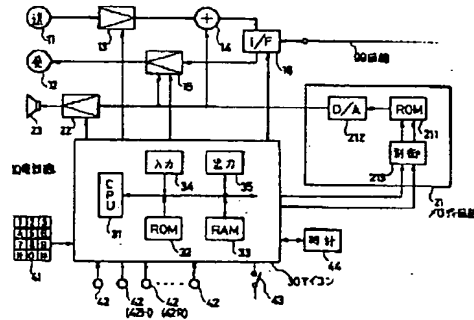
(57) Abstract:

PURPOSE: To vary holding sound and ringer sound depending on seasons and time by selecting one of the data of plural music at the time of holding or at the time of an incoming call and obtaining the holding tone or the ringer tone at the time of the incoming call from taken-out audio signals.

CONSTITUTION: This set is provided with a melody circuit 21 and a clock circuit 44, the melody circuit 21 is provided with the data of the plural music selectable by signals from an outside, one of the data of the plural music is selected corresponding to the time indicated by the clock circuit 44 at the time of holding or at the time of the incoming call and taken out as the audio signals and the holding tone or the ringer tone at the time of the incoming call is obtained from the taken-out audio signals. Then, in this case, corresponding to the time timed by the clock circuit 44, when the time changes, the holding tone and the ringer tone are automatically changed. Thus, since the holding tone and the ringer tone are automatically changed depending on the season and the time of a day, the troublesomeness of checking an instruction manual or the

like so as to change the holding tone and the ringer tone is eliminated.

COPYRIGHT: (C)1996,JPO



BEST AVAILABLE COPY